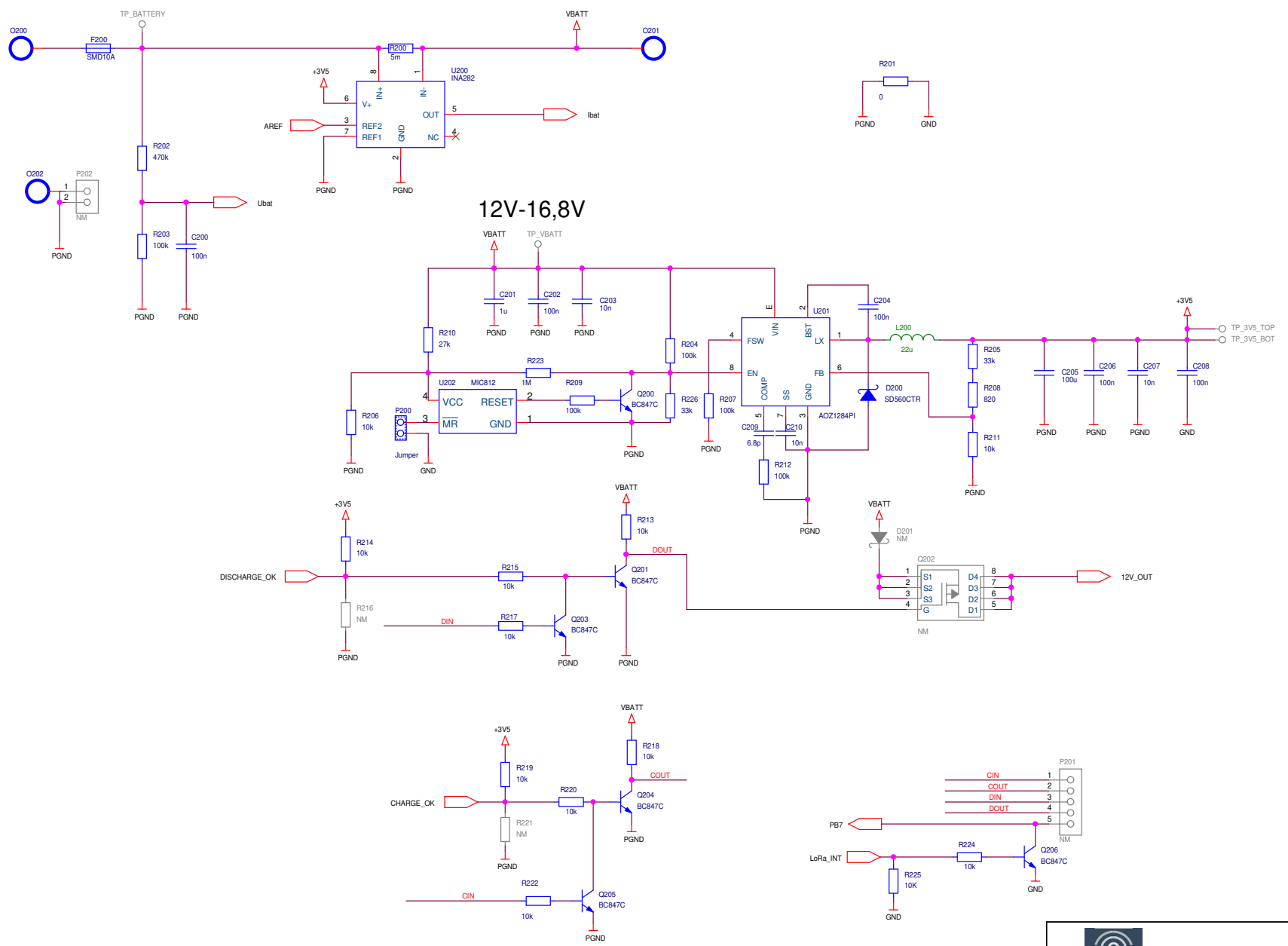


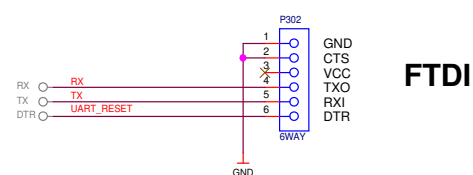
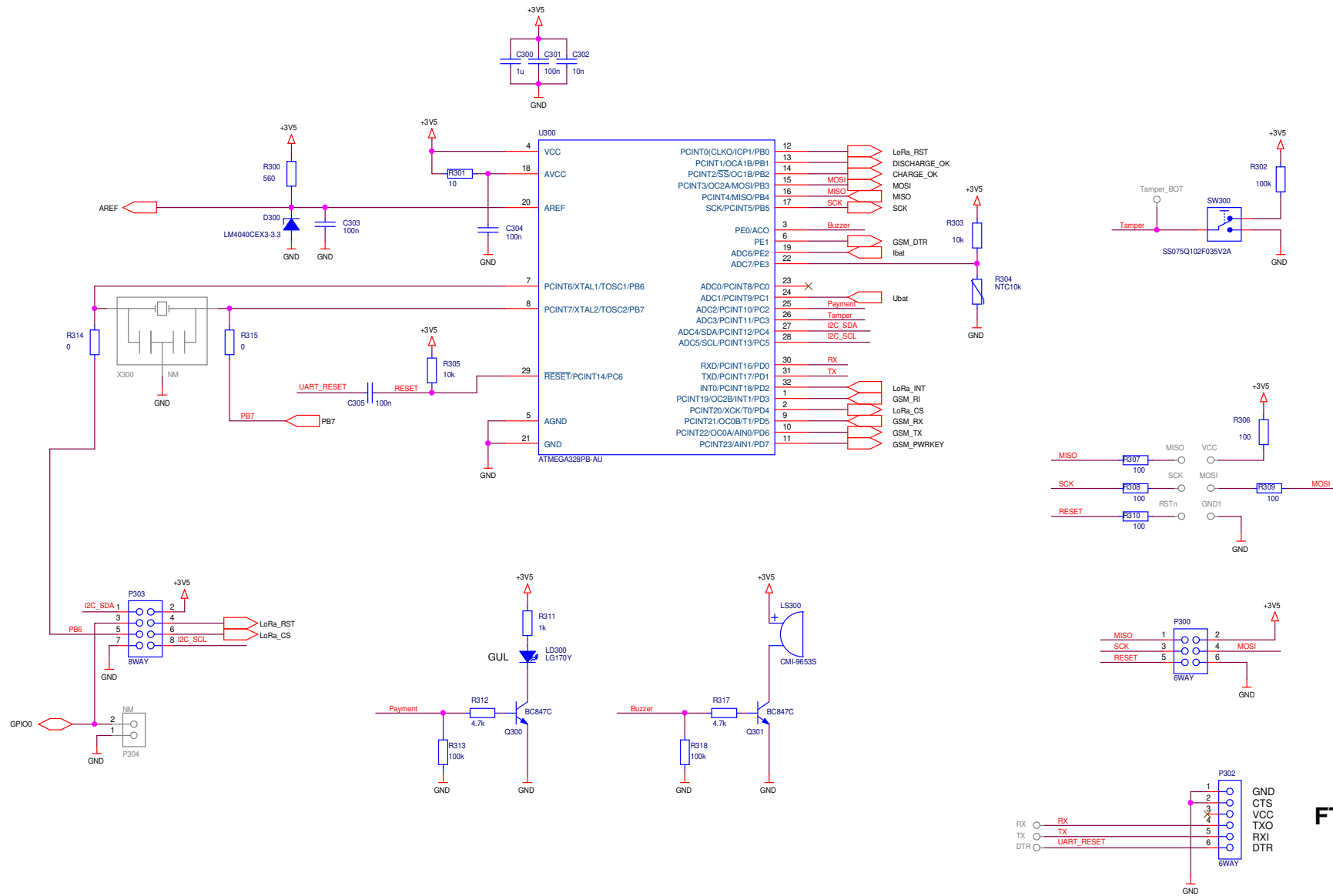
Peoples Portable Power

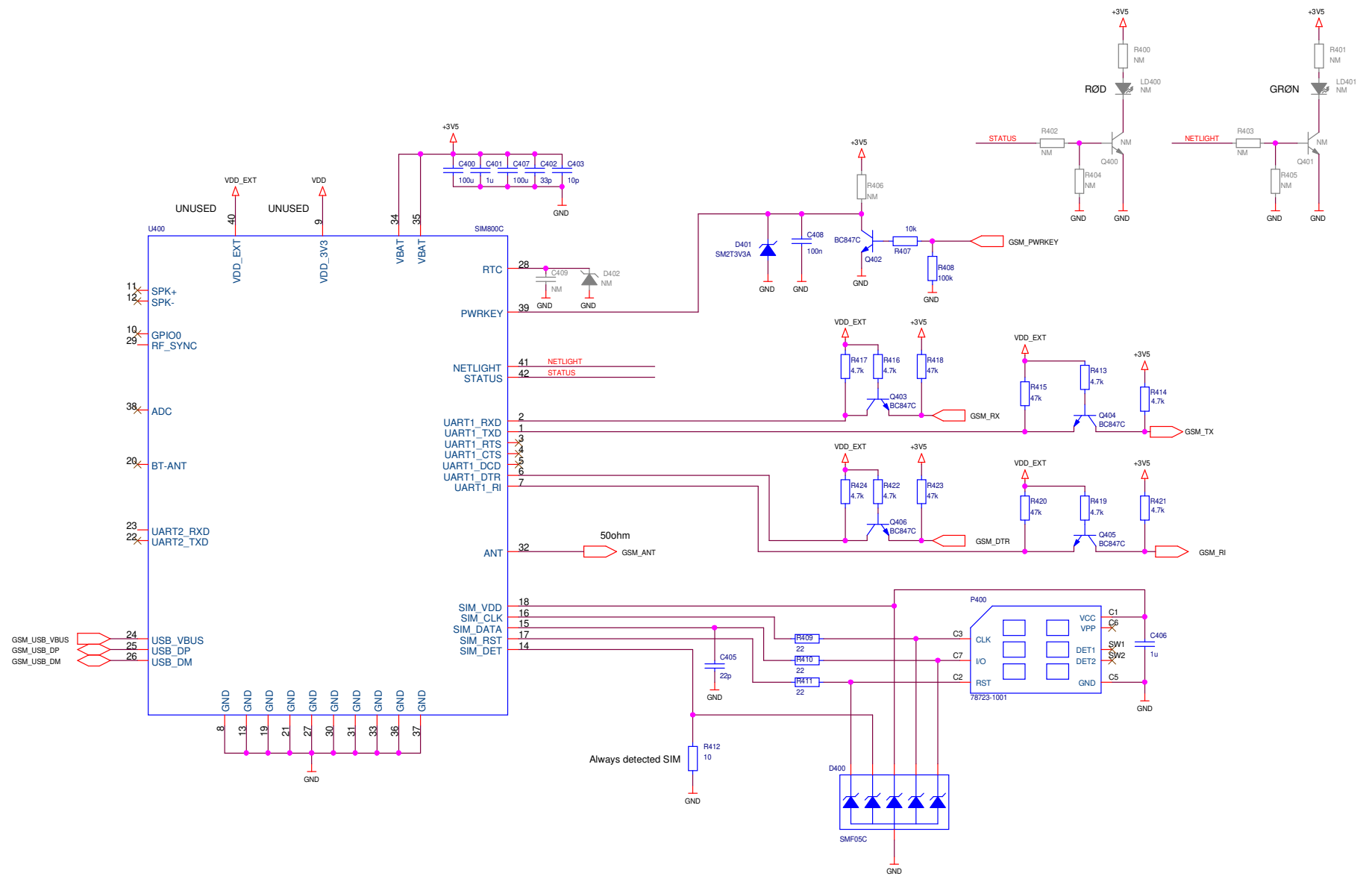
PP-Power
Bærbart Batteri

Modified: Tuesday, May 14, 2019	01 Overview
PCB: 01046021C Assembly: version I	Sheet 1 of 5



Peoples Portable Power





Peoples Portable Power

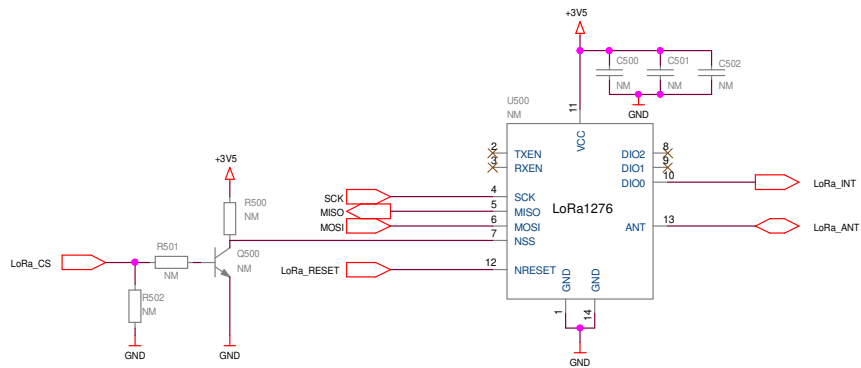
PP-Power
Bærbart Batteri

Modified: Tuesday, May 14, 2019

PCB: 01046021G Assembly: version I

04 GSM

Sheet 4 of 5



Peoples Portable Power

PP-Power
Bærbart Batteri

Modified: Tuesday, May 14, 2019
 PCB: 01046021C Assembly: version I

05 LoRa
 Sheet 5 of 5